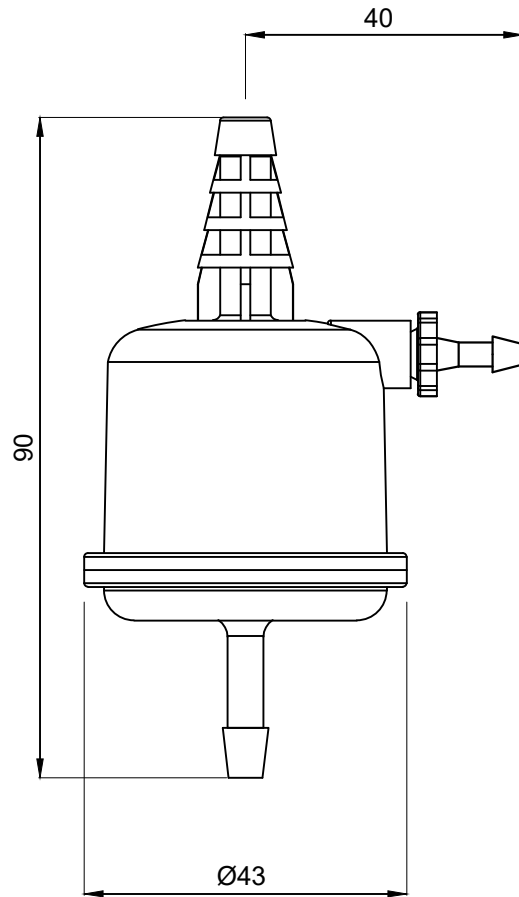


DO NOT SCALE THE DRAWING  
ALL DIMENSIONS ARE IN mm



| PART                                                                                | QUANTITY | REF. NO. | DESCRIPTION              | MATERIAL | FINISHED SIZE | HARDNESS | REMARK      |                            |         |         |         |         |         |
|-------------------------------------------------------------------------------------|----------|----------|--------------------------|----------|---------------|----------|-------------|----------------------------|---------|---------|---------|---------|---------|
|                                                                                     |          |          |                          |          |               |          |             |                            |         |         |         |         |         |
|                                                                                     |          |          |                          |          |               |          |             |                            |         |         |         |         |         |
|                                                                                     |          |          |                          |          |               |          |             |                            |         |         |         |         |         |
|                                                                                     |          |          |                          |          |               |          |             |                            |         |         |         |         |         |
| REV. NO.                                                                            | ECN. NO. | DATE     | DESCRIPTION              | REV. NO. | ECN. NO.      | DATE     | DESCRIPTION |                            |         |         |         |         |         |
| mdi Advanced Microdevices Pvt. Ltd. 20, 21, Industrial Area , Ambala Cantt., 133006 |          |          | REV. NO.<br>FORMAT NO. 5 | SCALE    | PROJ.         | DATE     | SIGN.       | TOLERANCE UNLESS SPECIFIED |         |         |         |         |         |
| 1" Capsule Filter With 1/4" SHB Inlet & 3/16" SSHB Outlet                           |          |          |                          |          |               |          |             |                            | 1Dec.PI | 2Dec.PI | 3Dec.PI | 4Dec.PI |         |
|                                                                                     |          |          |                          |          |               |          |             |                            | C       | A±0.100 | A±0.050 | A±0.025 | A±0.010 |
|                                                                                     |          |          |                          |          |               |          |             |                            | T       | A±0.050 | A±0.025 | A±0.010 | A±0.000 |
|                                                                                     |          |          |                          |          |               |          |             |                            | S       |         |         |         |         |
|                                                                                     |          |          |                          |          |               |          | ANGLE       | A±2Å°                      | A±2Å°   | A±2Å°   | A±2Å°   |         |         |
| TOOL No.                                                                            |          |          | COMP. No.                |          | STORE No.     |          |             | SHEET 1 OF 1               |         |         |         |         |         |